

FIGHTER



Fighter 1627.

4x2 / 6-SP MANUAL / STEEL or AIR SUSP.



CLASS LEADING 30,000KM SERVICE INTERVALS.

GVM

16,000 KG

GCM

25,000 KG

Power/Torque

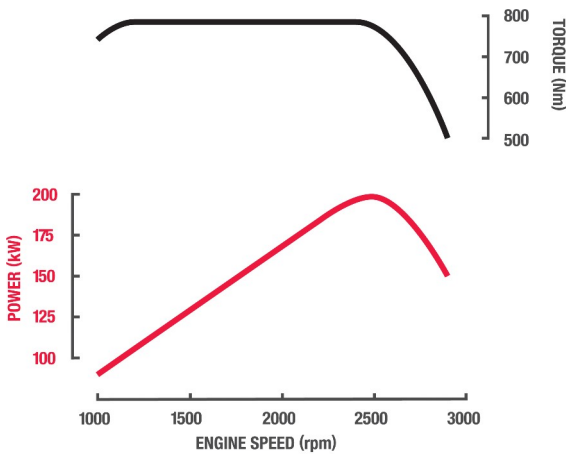
199_{KW} / 784_{NM}

- Medium rigid licence required.

SPECIFICATIONS

MODEL	WHEEL BASE	GVM (optional)	GCM (optional)
A 4x2 1627 Steel Susp. SWB 6 Sp. MAN (FM65FH2RFAH)	4280mm	16,000kg	25,000kg
B 4x2 1627 Steel Susp. XLWB 6 Sp. MAN (FM65FM2RFAH)	5550mm	16,000kg	25,000kg
C 4x2 1627 Steel Susp. XXLWB 6 Sp. MAN (FM65FS2RFAH)	6500mm	16,000kg	25,000kg
D 4x2 1627 Air Susp. XXLWB 6 Sp. MAN (FM67FS2RFAH)	6500mm	16,000kg	25,000kg

Engine	
Engine Version	FUSO 6M60-9AT2 Diesel
Configuration	6 Cyl. In-line OHC, 4-Valve
Type	Variable Geometry Turbo Charged Air to Air Intercooler
Displacement	7.5 litre (7545cc)
Bore	118mm
Stroke	115mm
Power (ECE R85-00)	199kW @ 2500 rpm
Torque (ECE R85-00)	784Nm @ 1100~2400 rpm
Maximum Engine Speed	2900 rpm
Compression Ratio	16.0:1
Cooling System / Oil Cooler	Water cooled, 23.0L capacity/ Plate type engine oil cooler
Air Cleaner	Paper Element Type with Restrictor Indicator. Vertical Intake Mounted on Clean Air Side (RH)
Emission Control	Selective Catalytic Reduction (SCR) after-treatment system (BlueTec), Positive Crankcase Ventilation (PCV)
Emission Level	ADR 80/03 - Euro 5



Fuel	
Injection System	DENSO Common Rail System Electronically Controlled Direct Injection
Tank Type	Rectangular Steel Tank with Locking Cap
Fuel Capacity *	A 200 Litres B C D 300 Litres
AdBlue Exhaust Fluid Capacity	40 Litres
Speed Limiter	Speed Limited 100km/h
Notes	*Max Fill to approx 95% of Air Capacity

Cooling	
Fan Drive	Thermo modulated continuous control (Viscous)
Radiator	Corrugated Fin with Expansion Tank

Electrical	
Voltage	24V Negative Earth
Alternator Capacity	24V-80 amp
Starter Capacity	24V-5.0kW
Battery Capacity	2x12V, 100Ah/20hr
Headlamp Type	Halogen
Headlamp Capacity	Low Beam 2x70W High Beam 2x75W

Clutch	
Clutch Model	FUSO C7M38
Type	Single Dry Plate
Operation/Specification	Air Assisted Hydraulic

Transmission	
Version	FUSO Manual M070S6-DD
Type/Speeds	6 with Air Assisted Gearshift
Features	Synchromesh 2nd-6th
Ratios	1st: 8.064 2nd: 5.443 3rd: 3.064 4th: 1.824 5th: 1.321 6th: 1.000 Rev. 7.354
PTO Opening	LH Side

Propeller Shaft	
Type	P10
Universal Joint	Needle Roller

Front Axle	
Axle Version	FUSO F650T
Type	Reverse Elliot 'I' Beam
Capacity *	6300kg
Notes	*See MAX LOADING for vehicle capacity.

Front Suspension	
Type	Parabolic Leaf with Double Acting Shock Absorbers
Size	1400x80mm Leaves

Rear Axle	
Type	Full Floating Hypoid
Axle Version	FUSO R060T/D8H
Capacity*	10200kg
Ratio	A 5.142:1 B C D 4.444:1
Notes	*See MAX LOADING for vehicle capacity.

Rear Suspension		
Type	A B C Steel Suspension	D Air Suspension
Details	A B C Semi-Elliptic Leaf	D Trailing Arm with Air Dump Control and Double Acting Shock Absorbers
Size Main Leaves	A B C 1400x80mm	D N/A
Size Helper Leaves	A B C 960x80mm	D N/A
Air Spring	A B C N/A	D 2x250mm dia.
Trailing Arm	A B C N/A	D (643+390)x80x35mm-2 Leaves
Road Friendly Certification Number	A B C N/A	D RF2043
Capacity at Ground *	A B C N/A	D 10000kg total

Max Loading	
Front	6000kg
Rear	10000kg
Total	16000kg

SPECIFICATIONS

FUSO

FIGHTER

MODEL	WHEEL BASE	GVM (optional)	GCM (optional)
A 4x2 1627 Steel Susp. SWB 6 Sp. MAN (FM65FH2RFAH)	4280mm	16,000kg	25,000kg
B 4x2 1627 Steel Susp. XLWB 6 Sp. MAN (FM65FM2RFAH)	5550mm	16,000kg	25,000kg
C 4x2 1627 Steel Susp. XXLWB 6 Sp. MAN (FM65FS2RFAH)	6500mm	16,000kg	25,000kg
D 4x2 1627 Air Susp. XXLWB 6 Sp. MAN (FM67FS2RFAH)	6500mm	16,000kg	25,000kg

Options	
Options	R01 (FM65FH only): Engine Flywheel PTO Max. Output Torque, 300Nm Drive Ratio, 0.635:1 Rotation, Same as Engine

Steering	
Type	Integral Power Assisted Ball and Nut
Steering Column	Tilt/Telescopic Adjustable with Lock
Ratio	22.4:1

Brakes	
Type	Full Air, Dual Circuit, FUSO Taper Roller, Automatic Brake adjustment, ABS with ASR (Anti Slip Regulator)
Size Front	410x150mm
Size Rear	410x200mm
Park Brake	Rear Wheel Spring Actuated
Auxiliary	Exhaust Brake
Compressor	Water Cooled, 340cc Single Cyl.
Air Dryer Model	MD4

Wheels & Tyres	
Wheel Type	7, Single Piece Disc
Wheel Size	22.5x8.25DC-165-13t
Wheel Stud Pattern	10x335mm PCD
Tyre Size All	A 11R22.5 148/145L B C D 275/70R22.5 148/145L
Spare Tyre Carrier	Provided

Chassis	
Type	Parallel Channel
Size	280x90x8.0mm
Width	841mm
Tensile Strength	540Mpa

Instruments	
Gauges	Speedometer with Odometer Tachometer Air Pressure (2) Fuel Level Water Temperature
Colour Information Display	Fuel Consumption Service Indicators Hour Meter and Tripmeter
Warning Lamps	ABS ASR Turn Signal High Beam Exhaust Brake Hill Start Assist Oil Level Ad Blue Low Fuel Low Park Brake Alternator Oil Filter Blockage Engine Control / Cruise Control (ECU) Air Filter Restriction Fuel Filter Water Contamination Door Opening
Warning Lamp/Buzzer	Air Pressure Oil Pressure Engine Overheat / Low Coolant Level

Multi-Media Package	
Satellite Navigation	Maps with heavy vehicle weight, length, height & hazardous material selectable restrictions with 3 years of Map updates
Colour Display	6.2 inch LCD with touch screen control
Phone Connectivity	Bluetooth® hands free
Audio Visual Entertainment	Bluetooth® music streaming compatible Digital radio DAB+ (also AM/FM for areas not covered by DAB+) USB & 3.5mm/AUX port
Reversing Camera	Display can accept up to 5 cameras#
Compatible	
Optional Accessories (available at additional cost)	Rear Mounted Parking Sensor Kit (High or Low) USB Quick Charge Kit Qi Wireless Charging Pocket for Mobile Devices Tyre Pressure Monitoring System
Notes	# Cameras available through spare parts

Standard Features	
Airbag(s)	Driver's Air Bag and Seat Belt Pre-tensioners
Hill Start System	Yes
Cab Cooling & Heating	Air Conditioner / Heater / Demister
Accessory Power	24V Accessory Power Outlet / Cigar Lighter
Driving	ASR (Traction Control) Keyless Central Locking Electric Windows Cruise Control LH Transom Window Fuso Multimedia Unit Cup Holders (4) Rear Quarter Glass Fluorescent Cabin Lamp and Interior Reading Lamps Engine Idle Speed Control
Storage	Centre Seat Storage Console Rear Bunk Storage Pocket Dash Storage Tray 2 DIN Glove Compartment 1 Single & 1 Double DIN Slot for Accessories Overhead Storage Pocket with Lid RH Door Storage Pocket
Cab: External	Roof Mounting Points (max. static load 70kg) Front End-Outline Marker Lamps
Chassis	Chassis Mounted Tool Box Reverse Warning Buzzer Integrated Front Underrun Protection System (FUPS)

Cab Features	
Type	All Steel Forward Control Manual Tilt 44 deg.
Mounting	Hydroelastic Susp. 4 Point
Colour	Natural White
Interior	Fully Trimmed
Windscreen	Laminated Tinted
Windscreen Wipers	2 Speed + Intermittent Cycle with Integrated Washer Nozzles
Door	90 degree Opening Angle
Rear Vision Mirrors	Remote / Heated with Convex Spotter (Both sides)
Seating Capacity	3
Seat Belts	2 ELR Lap Sash, 1 Lap
Seat (driver)	ISRI Air Suspension with Height, Tilt and Dampening Adjustment Integral Headrest and Fabric Trim
Seats (passenger)	Centre: Low Back with Fabric Trim Forward Folding Far Passenger: Fixed Base with Reclining Seat Back, Integral Headrest and Fabric Trim

Service Intervals	
Interval*	30,000km or 12 Months (whichever occurs first)
Notes	* based on normal operating conditions and may be reduced when operating under severe conditions.

SPECIFICATIONS

FUSO

FIGHTER

MODEL

A	4x2 1627 Steel Susp. SWB 6 Sp. MAN (FM65FH2RFAH)
B	4x2 1627 Steel Susp. XLWB 6 Sp. MAN (FM65FM2RFAH)
C	4x2 1627 Steel Susp. XXLWB 6 Sp. MAN (FM65FS2RFAH)
D	4x2 1627 Air Susp. XXLWB 6 Sp. MAN (FM67FS2RFAH)

WHEEL BASE

4280mm
5550mm
6500mm
6500mm

GVM (optional)

16,000kg
16,000kg
16,000kg
16,000kg

GCM (optional)

25,000kg
25,000kg
25,000kg
25,000kg

Warranty

Basic/Powertrain	5 Years or 350,000kms (whichever occurs first)
Cab Perforation/Anti Corrosion	5 Years

Performance

Turning Circle (kerb to kerb - metres)	A 14.6	B 18.4	C D 21.4
Electronically Speed Limited to:	100km/hr Conforms to ADR65/..		
Engine Speed (rpm) at 100km/hr (top gear)	A 2700	B C D 2555	
Gradeability at Rated GVM (theoretical)*	A 36%	B C D 34%	
Gradeability at Rated GCM (theoretical)*	A 22%	B C D 20%	
Notes	*This is theoretical performance only. Actual performance may vary under different conditions		

Mass (estimated)*

Front*	A 2870kg	B 2955kg	C 3020kg	D 3030kg
Rear*	A 1875kg	B 1910kg	C 2000kg	D 1950kg
Total*	A 4745kg	B 4865kg	C 5020kg	D 4980kg
Notes	* Mass (est.) includes oil and water but excludes spare wheel, tools & fuel. Weights provided are subject to 3.5% variation (+/-)			

Dimensions (mm)

WFF (Width Front Fender) (mm)	2450			
WRA (Width Rear Axle) (mm)	2470			
WFT (Width Front Track) (mm)	1925			
WRT (Width Rear Track) (mm)	1850			
Width Frame (mm)	841			
A - Length Overall (mm)	A 7455	B 9325	C D 10695	
C - Front Overhang (mm)	1245			
D - Wheelbase (mm)	A 4280	B 5550	C D 6500	
G - Front Axle to Rear of Cab (mm)	745			
H - Rear of Cab to Rearmost Item Behind Cab (mm)	A 130 / 185 *	B C D 130		
* Opt. Flywheel PTO				
I - Rearmost Item Behind Cab to Rear Axle (mm)	A 3405	B 4675	C D 5625	
J - Frame, Rear Axle to End (mm)	A 1930	B 2530	C D 2950	
P - Height Cab to Ground (mm)	A 2680	B C D 2635		
Q - Height Cab to Frame (mm)	1669			
R - Height Rear Frame to Ground (mm)	A 1075	B 1033	C 1032	D Inflated: 969 Deflated: 922

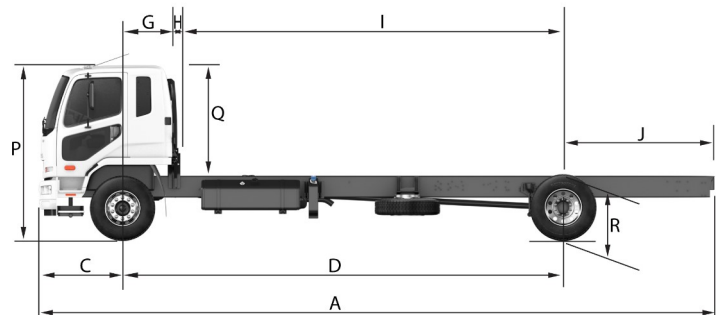
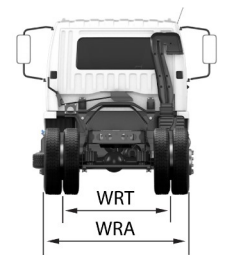
Body Builder's Notes

Notes

Chassis reinforcement must be utilised for Tipper/Demountable type body configurations. To conform with ADR 13/00 (lighting requirements) the following must be adhered to at body installation.

- If other than a flat type or tipper body is fitted, rear end out-line marker lamps must be installed.
- If overall length exceeds 6.0 metres, side reflectors must be installed.
- If overall length exceeds 7.5 metres, side marker lamps must be installed.

To conform with ADR 42/04 (General Safety), rear wheel guards must be fitted to the vehicle.



SPECIFICATIONS

FUSO

FIGHTER

MODEL	WHEEL BASE	GVM (optional)	GCM (optional)
A 4x2 1627 Steel Susp. SWB 6 Sp. MAN (FM65FH2RFAH)	4280mm	16,000kg	25,000kg
B 4x2 1627 Steel Susp. XLWB 6 Sp. MAN (FM65FM2RFAH)	5550mm	16,000kg	25,000kg
C 4x2 1627 Steel Susp. XXLWB 6 Sp. MAN (FM65FS2RFAH)	6500mm	16,000kg	25,000kg
D 4x2 1627 Air Susp. XXLWB 6 Sp. MAN (FM67FS2RFAH)	6500mm	16,000kg	25,000kg



Call 1800 033 557

or visit fuso.com.au

Unless specified in writing herein the accessories, applications, bodies or equipment depicted in this document are for illustration purposes only and may not be available from Daimler Truck and Bus Australia Pacific Pty Ltd. (ABN 86 618 413 282) (DTB). No representation or warranty whatsoever is given in relation to any accessories, applications, bodies or equipment or suitability of same that are shown herein that may be manufactured, supplied or fitted by a party other than DTB. DTB reserves the right without notice or obligation to discontinue or make changes to the colour, designs, materials and specifications of the products and options referred to herein at any time. For the most current information and in order to ascertain which accessories, applications, bodies and equipment are available from DTB please contact your authorised FUSO Truck and Bus dealer. Fuso is a registered trademark of Daimler Truck and Bus Australia Pacific Pty Ltd. Copyright DTB. Reproduction in whole or part prohibited without written approval. Part Number TSF40G-SSV4. Valid from 01-Oct-19.